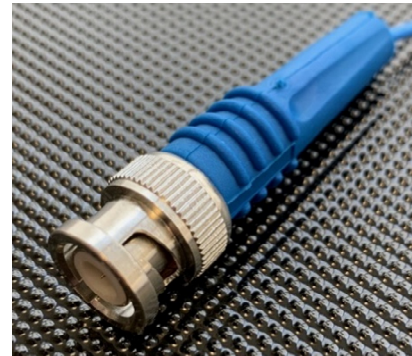


- Unique easy to fit design
- Gold plated pin
- Nickel plated body
- IEC60169-8
- CECC22120
- Crimp sleeve
- RG174 cable

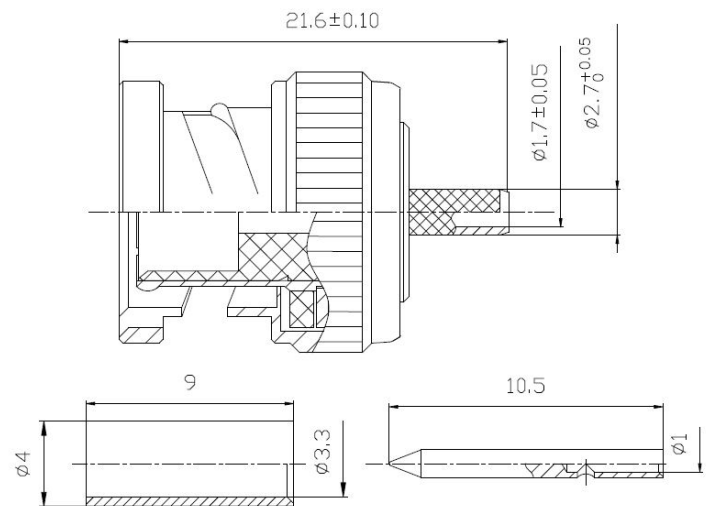


Dimensions in mm

The KBNC-P is a high quality BNC crimp plug for RG174 cable

Used by Kemo Ltd as its primary BNC connector on all its cable assemblies, this connector can also be purchased as a self-fit connector to make your own cable assemblies.

Stock item



Note: Kemo strain relief boot not supplied in self fit kit, heatshrink, is recommended as substitute

| Variable                           | Value                      |
|------------------------------------|----------------------------|
| <b>Electrical</b>                  |                            |
| Impedance                          | 50Ω                        |
| Frequency Range                    | 0 ~ 3GHz                   |
| Working Voltage (max.)             | 500V max                   |
| Withstand Voltage                  | 1500Vrms                   |
| Insulation Resistance              | ≥5000MΩ                    |
| VSWR (Voltage Standing Wave Ratio) | ≤1.22                      |
| <b>Physical</b>                    |                            |
| Body                               | Nickel Plated Brass        |
| Centre Conductor                   | Gold plated brass          |
| Insulator                          | PTFE                       |
| Crimping body                      | Nickel plated copper alloy |
| Temperature Range                  | -55°C to +155°C            |
| Durability                         | >500 connections           |

Due to continued product development Kemo Limited reserve the right to change specification without notice.