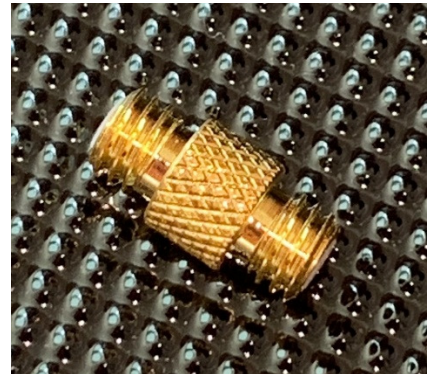


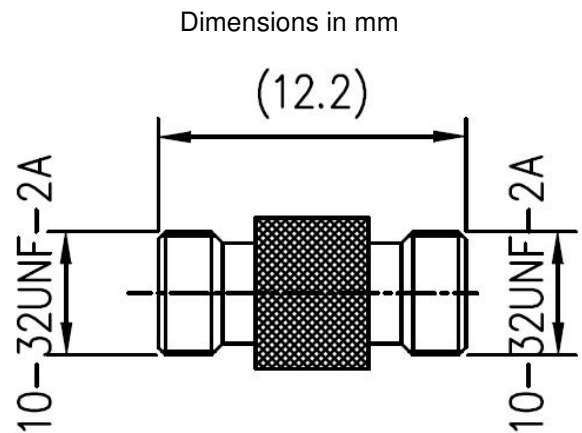
- 10/32UNF inline joiner
- Gold plated body
- Gold plated pin
- PTFE insulator
- Low mass, compact design



The 10/32UNF Microdot to Microdot plug joiner is a compact and high quality joiner widely used in data acquisition and sensor measurement applications.

A useful addition to an engineers cupboard it provides an easy solution for the extension of cables during test set.

Using gold plating throughout for maximum signal integrity.



Variable	Value
<b>Electrical</b>	
Impedance	50Ω
Frequency Range	0 ~ 3GHz
Working Voltage (max.)	250V max
Withstand Voltage	1000Vrms
Insulation Resistance	≥500MΩ
VSWR (Voltage Standing Wave Ratio)	≤1.2
<b>Physical</b>	
Body	Gold Plated Brass
Centre Conductor	Gold plated brass
Insulator	PTFE
Temperature Range	-45°C to +120°C
Durability	>500 connections

Due to continued product development Kemo Limited reserve the right to change specification without notice.