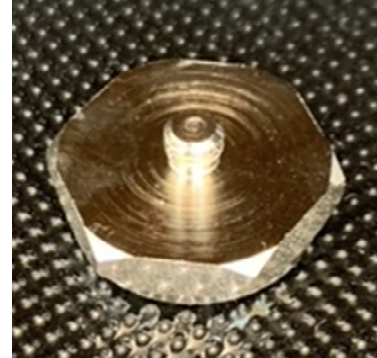


- Electrically isolated
- Pull force – 5kg nom.
- -70°C to +200°C range
- 10/32UNF integrated stud
- 21.3mm Across flats
- 9.9mm height
- Low mass – 22gm

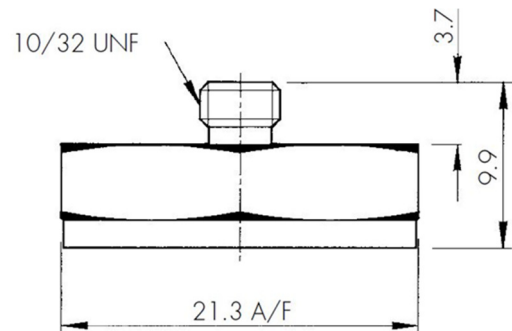


The KMMAG-21S is an isolated magnetic mounting base for use with accelerometers and other sensors requiring surface mounting. It features a nickel plated mild steel body and a PTFE isolating washer. This solution solves issues of earth loops causing interference in data signals from sensors.

The integral mounting stud limits the use of the KMMAG-21S to sensors with a 10/32UNF tapped mounting hole. For greater flexibility for other mounting requirements use the KMMAG-21 also available from Kemo Ltd.

Note:

When using magnetic mounts with dynamic devices such as accelerometers, careful consideration should be applied to the type of surface finish on the test item, it is critical a smooth surface is present to avoid chattering of the magnet which will cause noise and data errors.



Materials List:

Body: Mild steel nickel plated

Insulator: PTFE

Magnet: Nickel plated Neodymium Iron Boron

Pull Force: 5kg nom.

Mounting Torque: 1.2Nm

Due to continued product development Kemo Limited reserve the right to change specification without notice.

Kemo Limited

Unit 1, Dene Yard
Green Street Green Road,
Dartford, Kent. DA2 8DH
www.kemo.com sales@kemo.com