

- Unique EasyFit design
- Single solder cup
- Gold plated pin
- Nickel plated body
- 10/32UNF plug
- Crimp sleeve also supplied

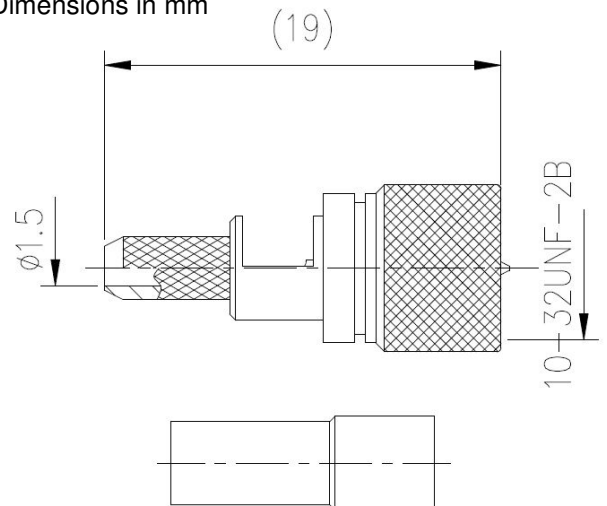


The 10/32UNF Microdot plug connector is industry standard in applications such as accelerometers, pressure sensors and other similar test and measurement sensors. Its compact size and secure thread fitting is well suited to sensor applications.

This unique EasyFit 10/32UNF microdot connector for RG174 cable from Kemo Ltd. is the only choice if you want or need to make your own sensor cables.

Select the correct Low noise or standard coaxial screened cable from Kemo stock also available with these connectors.

Dimensions in mm



Variable	Value
<b>Electrical</b>	
Impedance	50Ω
Frequency Range	0 ~ 3GHz
Working Voltage (max.)	250V max
Withstand Voltage	1000Vrms
Insulation Resistance	≥500MΩ
VSWR (Voltage Standing Wave Ratio)	≤1.2
<b>Physical</b>	
Body	Nickel Plated Brass
Centre Conductor	Gold plated brass
Insulator	PTFE
Temperature Range	-45°C to +120°C
Durability	>500 connections

Due to continued product development Kemo Limited reserve the right to change specification without notice.

### Kemo Limited

Unit 1, Dene Yard  
Green Street Green Road,  
Dartford, Kent. DA2 8DH  
[www.kemo.com](http://www.kemo.com) [sales@kemo.com](mailto:sales@kemo.com)