

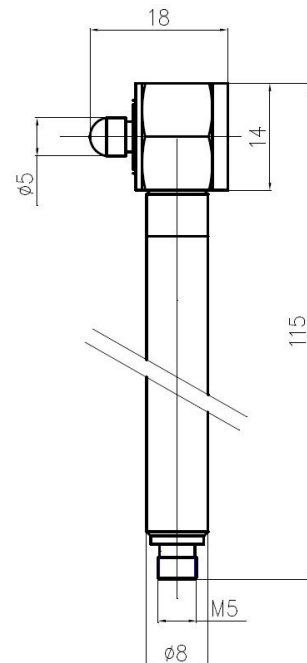
- General purpose IEPE Hammer
- Range 50N
- Sensitivity 100mV/N
- Kit includes impact tips and 2m cable
- M5 Microdot connector
- Carry case included

The VTH50 is the smallest of the general purpose IEPE Impact Hammer range offered by Kemo Ltd.

With a range of just 50N and a sensitivity of 100mV/N it is perfectly suited to applications requiring the excitation of small lightweight products such as PCB assemblies, small product casings.

The hammer is supplied in a carry case and also includes a 2m cable with a BNC plug termination. In addition 4 impact tips:

- Stainless Steel
- Aluminium
- Nylon
- Rubber

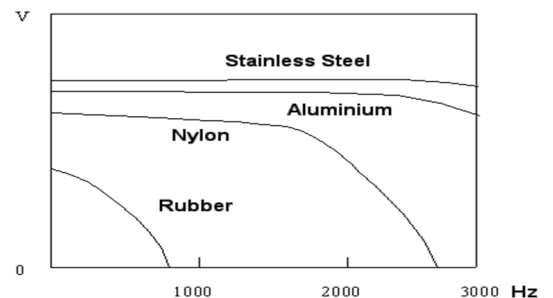


VTH50	Metric	Imperial
Sensitivity ($\pm 10\%$)	100mV/N	446mV/lbf
Measuring Range	50N	11.24lbf
Non-linearity	$\leq 1\%$	
Resolution	2mN(rms)	
Resonant Frequency	$\geq 70\text{kHz}$	
Hammer head Weight	15gm	0.53oz
Hammer weight (total)	80g	2.82oz
Hammer Head \varnothing	14mm	0.55in
Hammer Length	115mm	5.12in
Output Connector	M5	
Tips Supplied	Rubber, nylon, aluminium, steel	
Excitation voltage	+18 to +28V	
Constant Current	2-10mA	
Bias Voltage	10-14VDC	
Output Impedance	$\leq 100\Omega$	

Typical comparative frequency response

Pulse width and frequency response vary with hammerhead materials.

This drawing is for reference only



Due to continued product development Kemo Limited reserve the right to change specification without notice.