

- Gold plated pin
- Gold plated body
- SMA Male crimp connector
- Crimp sleeve also supplied
- Fitted by Kemo



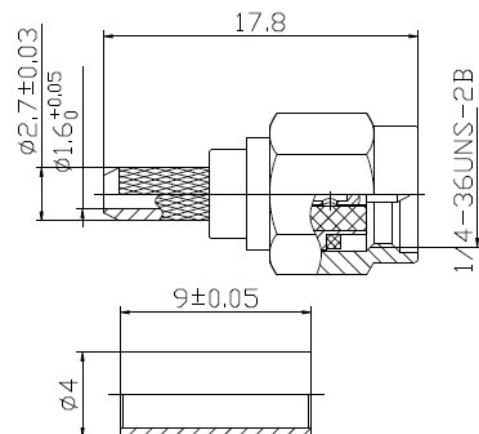
The SMA Male connector is widely used in instrumentation and sensor connection applications.

This SMA male crimp connector for RG174 cable from Kemo Ltd. is used by Kemo on its cable assemblies that feature the SMA male plug connector.

It is a stock connector.

Select the correct Low noise or standard coaxial screened cable from Kemo stock also available with these connectors.

Dimensions in mm



Variable	Value
Electrical	
Impedance	50Ω
Frequency Range	0 ~ 12.4GHz
Working Voltage (max.)	335V max
Withstand Voltage	1000Vrms
Insulation Resistance	≥5000MΩ
VSWR (Voltage Standing Wave Ratio)	≤1.1
Physical	
Body	Gold Plated Brass
Centre Conductor	Gold plated phosphor bronze
Insulator	PTFE
Temperature Range	-55°C to +155°C
Durability	>500 connections

Due to continued product development Kemo Limited reserve the right to change specification without notice.