

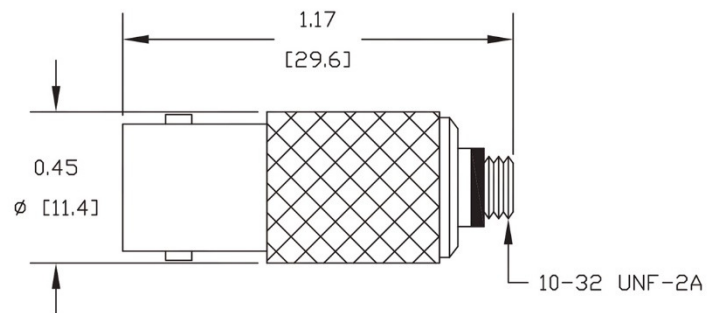
- Compact design
- 10/32 UNF Microdot socket
- BNC socket
- Joiner
- Quality long life
- Nickel plated
- Gold plated conductor/pin



Dimensions in mm

The 10/32UNF Microdot to BNC socket joiner is a compact and high quality joiner widely used in data acquisition and sensor measurement applications.

The body is fully nickel plated and the critical connections are gold plated.



Variable	Value
Electrical	
Impedance	50Ω
Frequency Range	0 ~ 3GHz
Working Voltage (max.)	250V max
Withstand Voltage	1000Vrms
Insulation Resistance	≥500MΩ
VSWR (Voltage Standing Wave Ratio)	≤1.2
Physical	
Body	Nickel Plated Brass
Centre Conductor	Gold plated brass
Insulator	PTFE
Temperature Range	-45°C to +120°C
Durability	>500 connections

Due to continued product development Kemo Limited reserve the right to change specification without notice.